

# INSTALLATION INSTRUCTIONS

---

## IceValet® Hotel Dispenser - Sanitary Dispensing Lever

---

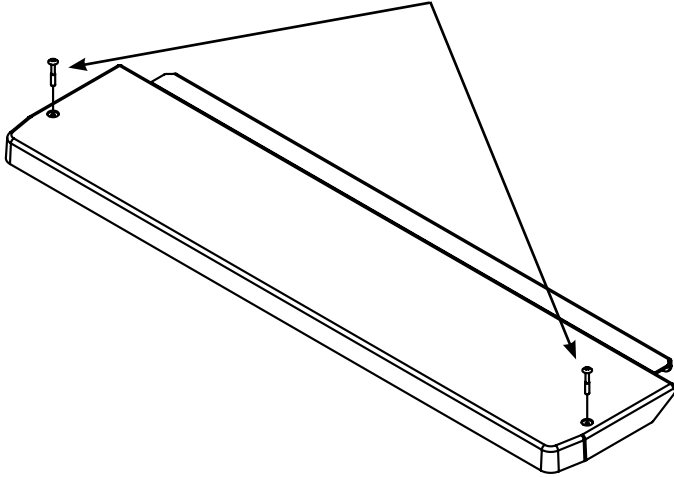
1. Unplug the machine.
2. Loosen the two Phillips head screws that secure the top panel to the machine. Remove the top panel. (**figure 1** on back side of page)
3. Place the front panel reminder label on the top bezel of the front panel. This will serve as reminder in the future that the sanitary lever must be removed before the front panel can be removed for service. (**figure 2**)
4. Pull the front panel forward at the top to disengage panel clips and to clear the chute. Lift up and remove the front panel.
5. Push one side of the wire retainer off it's bracket. Remove the ice dispensing chute with text "Push for ice". (**figure 3**)
6. Install the new blank ice dispensing chute and secure with the wire retainer.
7. Return the front panel, first seating the bottom of the panel with locating pins and then pushing the top of the front panel forward to engage the panel clips and lock in place.
8. Replace the top panel and secure with it's original Phillips head screws. (**figure 1**)
9. Install the sanitary dispensing lever, snapping into place inside the new ice dispensing chute between the ice dispensing door and the back of the ice dispensing chute. See cutaway graphic in **figure 4** for detail.

**Scan the QR code to watch a step by step video on how to install this kit:**



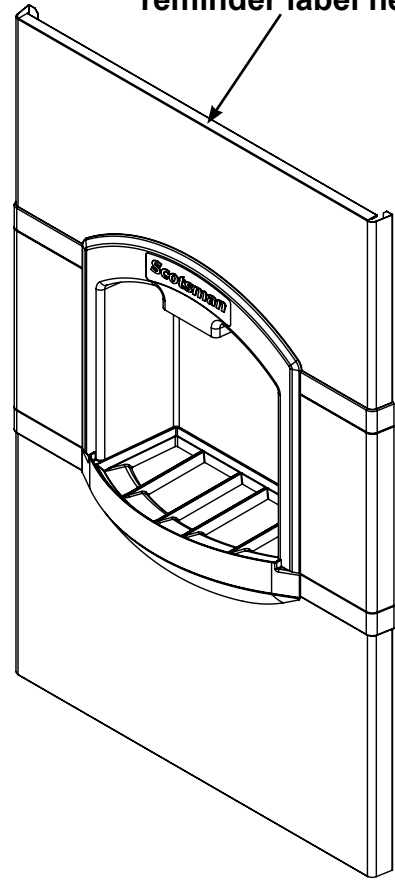
**Figure 1**

Losen both phillips screws to remove top panel



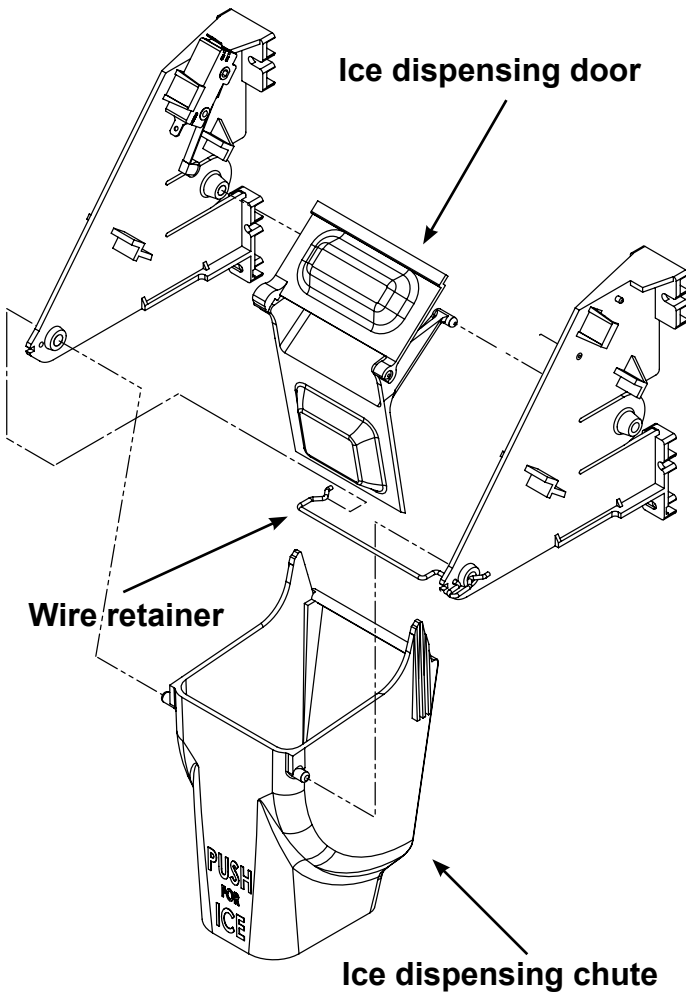
**Figure 2**

Apply self adhesive reminder label here



**Figure 3**

Ice dispensing door



**Figure 4**

Cutaway view of the dispensing assembly:

